



## Handling System for Rack Type Basic tables - Pre-wash infill tops

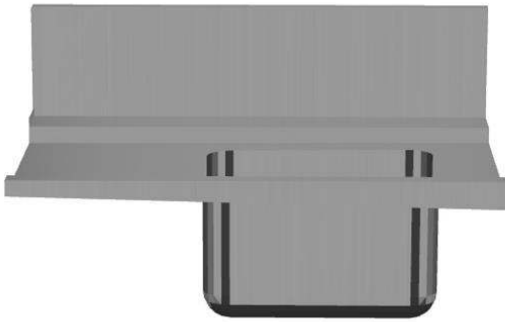
ITEM # \_\_\_\_\_

MODEL # \_\_\_\_\_

NAME # \_\_\_\_\_

SIS # \_\_\_\_\_

AIA # \_\_\_\_\_



**865487 (BHRPITB10R)**      Prewash infill Top with Sink  
for Rack Type Dishwasher  
(500x400 mm), Right>Left,  
1000 mm

**865488 (BHRPITB10L)**      Prewash infill Top with Sink  
for Rack Type Dishwasher  
(500x400 mm), Left>Right,  
1000 mm

### Short Form Specification

**Item No.** \_\_\_\_\_

Designed for rack type dishwasher.  
Constructed in 304 AISI stainless steel with splashback.  
Pre-wash sink size 500x400x300h mm with overflow pipe, drain hole and plastic siphon.  
Attachment with Rack Type dishwasher on side and basic sorting table on the other side.  
Basket direction: either from right to left (865487) or from left to right (865488).

### Main Features

- The pre-wash infill top intended for installation between a rack type dishwasher and sorting table on the loading side.
- Designed for 500x500 mm dishwashing racks.

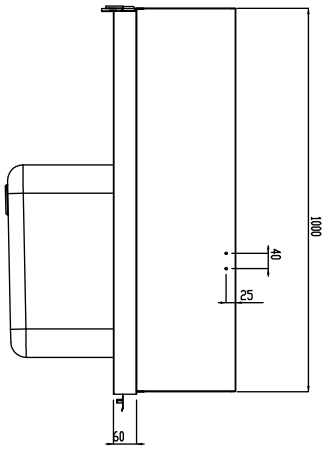
### Construction

- All surfaces smooth with polished finish.
- 304 AISI stainless steel construction throughout.
- Deep anti-drip profiles completely folded with lower edge for safe and easy cleaning.
- Included splashback to prevent water spatter.
- Optionally equipped with pre-rinse unit, strainer basket and scrape plate.

**APPROVAL:** \_\_\_\_\_



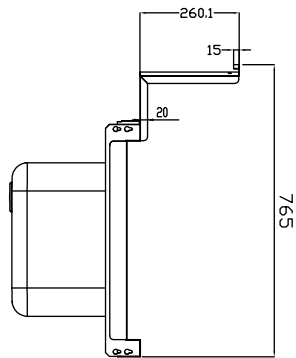
Front



**Key Information:**

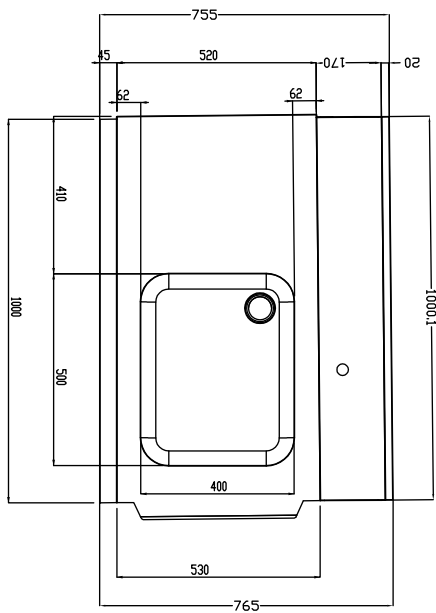
External dimensions, Width:	
865487 (BHRPITB10R)	1000 mm
865488 (BHRPITB10L)	1000 mm
External dimensions, Depth:	755 mm
External dimensions, Height:	1170 mm
Net weight:	16 kg
Height adjustment:	0/0 mm

Side



D = Drain

Top



Optional Accessories	865487	865488
	✓	✓
855297 - Dish scraper	✓	✓
865386 - Floor fastening kit for 2 square legs	✓	✓
865418 - Removable bridge table, 800 mm	✓	✓
865419 - Removable bridge table with hole, 800 mm	✓	✓